

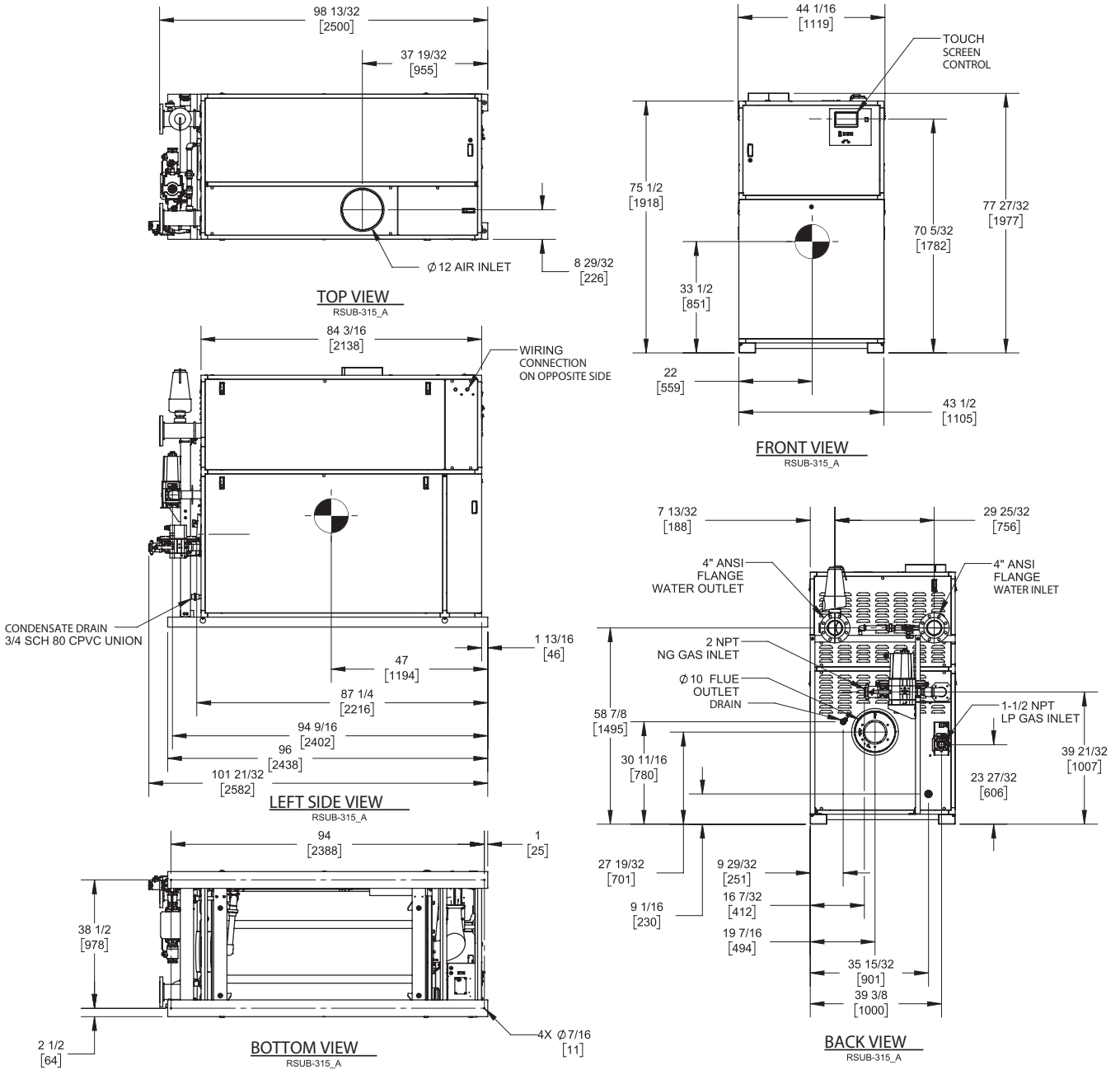
TORUS 4000 DUAL FUEL

Category II or Category IV Appliance
(see Installation and Operation Manual for venting information)

CODE OPTIONS

| | |
|-------|---|
| CSD-1 | FIRMWARE W/REMOTE TEST MANUAL RESET LWCO |
|-------|---|

INDOOR UNIT



Notes:

1. Dimensions are approximate and should not be used to "rough-in" equipment.
2. Dimensions are subject to change without notice.
3. All dimensions are in inches (mm).
4. ● Symbol indicates center of gravity.

BOILER CERTIFIED RATINGS & CAPACITIES

| | | | |
|--------------------------------|---------------------|-----------------------------------|--------------------|
| Fuel Type | Natural/Propane Gas | Boiler FLA | 19.9* |
| Input BTU/hr. | 4,000,000 / 1172kW | Boiler HP | 116.52 |
| Output BTU/hr. | 3,900,000 / 1143kW | Min. Gas Pressure Required | 4" W.C. |
| Electrical Requirements | 230 VAC/60 Hz/3PH | Max. Gas Pressure Allowed | 14" W.C. |
| | | Operating Weight | 2866 lbs / 1300 kg |

BOILER TRIM & CONTROLS

| | | | |
|--|-----------|----------------------------|-------------------------------|
| Main Gas Valve | Dungs MBC | Air Switch | Huba |
| Firing Valve | 2" Apollo | Flow Switch | SIKA |
| Ignition Control | Fenwal | Blocked Flue Switch | Cleveland NS2 |
| Operating Control | HeatNet® | Blower Motor | Ametek |
| High Limit | Jumo | L.W.C.O. | 800 |
| Main Ball Valve | 2" Apollo | Relief Valve (WB) | 1" x 1 1/2" set @ 50 psi |
| Pump contactor strongly recommended for water heater applications. | | Relief Valve (WW) | 1 1/2" x 1 1/2" set @ 125 psi |

A.S.M.E.

| | | | |
|--|-------------------------------|---------------------|--------------------------|
| ASME Sect IV Fire Side Htg Surface | 402.93 Sq. Ft. / 37.43 Sq. M. | Design Data | Max. 160 psig & 210°F |
| ASME Sect IV Water Side Htg Surface | 371.25 Sq. Ft. / 34.49 Sq. M. | Water Volume | 41.3 gal. / 156.3 Liters |

* Add circulator amps.

BOILER TEMPERATURE RISE / PRESSURE DROP (Based on Full Input)


| 20°F / 11.1°C | | | | 30°F / 16.7°C | | | | 40°F / 22.2°C | | | | 50°F / 27.8°C | | | | 60°F / 33.3°C | | | |
|---------------|------|---------------|------|---------------|------|---------------|------|---------------|------|---------------|------|---------------|-----|---------------|------|---------------|-----|---------------|------|
| Flow Rate | | Pressure Drop | | Flow Rate | | Pressure Drop | | Flow Rate | | Pressure Drop | | Flow Rate | | Pressure Drop | | Flow Rate | | Pressure Drop | |
| GPM | L/s | Ft | kPa | GPM | L/s | Ft | kPa | GPM | L/s | Ft | kPa | GPM | L/s | Ft | kPa | GPM | L/s | Ft | kPa |
| 390.2 | 24.6 | 19.9 | 59.6 | 260.1 | 16.4 | 10.1 | 30.2 | 195.1 | 12.3 | 6.5 | 19.3 | 156.1 | 9.8 | 4.7 | 14.0 | 130.1 | 8.2 | 3.7 | 10.9 |

WATER HEATER HOURLY RECOVERY CAPACITY (GPH & LPH)

| | | | | | | | | | | | |
|-------|-------|------|-------|------|-------|-------|-------|-------|-------|-------|-------|
| 40°F | 22°C | 60°F | 33°C | 80°F | 44°C | 100°F | 56°C | 120°F | 67°C | 140°F | 78°C |
| 11765 | 44471 | 7843 | 29647 | 5882 | 22235 | 4706 | 17788 | 3922 | 14824 | 3361 | 12706 |

| Flow GPM | | Temp. Rise** (°F) | | Vent Length (Equiv. Ft.) | | Air Inlet Length (Equiv. Ft.) | |
|----------|-------|-------------------|-----|--------------------------|-----|-------------------------------|-----|
| Min | Max | Min | Max | Min | Max | Min | Max |
| 130.1 | 390.2 | 20 | 60 | 12 | 160 | 0 | 160 |

** Min/Max delta t reflects boiler operation at full input. For applications requiring operation above/below these parameters please consult factory.

| | | |
|---------------------|-------|---|
| REP FIRM | _____ | <h1 style="margin: 0;">TORUS 4000 DUAL FUEL</h1> <p style="margin: 5px 0;">Category II or Category IV Appliance (see Installation and Operation Manual for venting information)</p>  <p style="margin: 5px 0;">A Division of Mestek, Inc. Westfield, MA 01085 (413) 564-5515</p> <p style="margin: 5px 0; font-size: small;">RELIABLE. BOLD. INNOVATIVE.</p> |
| SUBMITTED BY | _____ | |
| JOB NAME | _____ | |
| ARCHITECT | _____ | |
| ENGINEER | _____ | |
| CONTRACTOR | _____ | |
| DATE | _____ | |

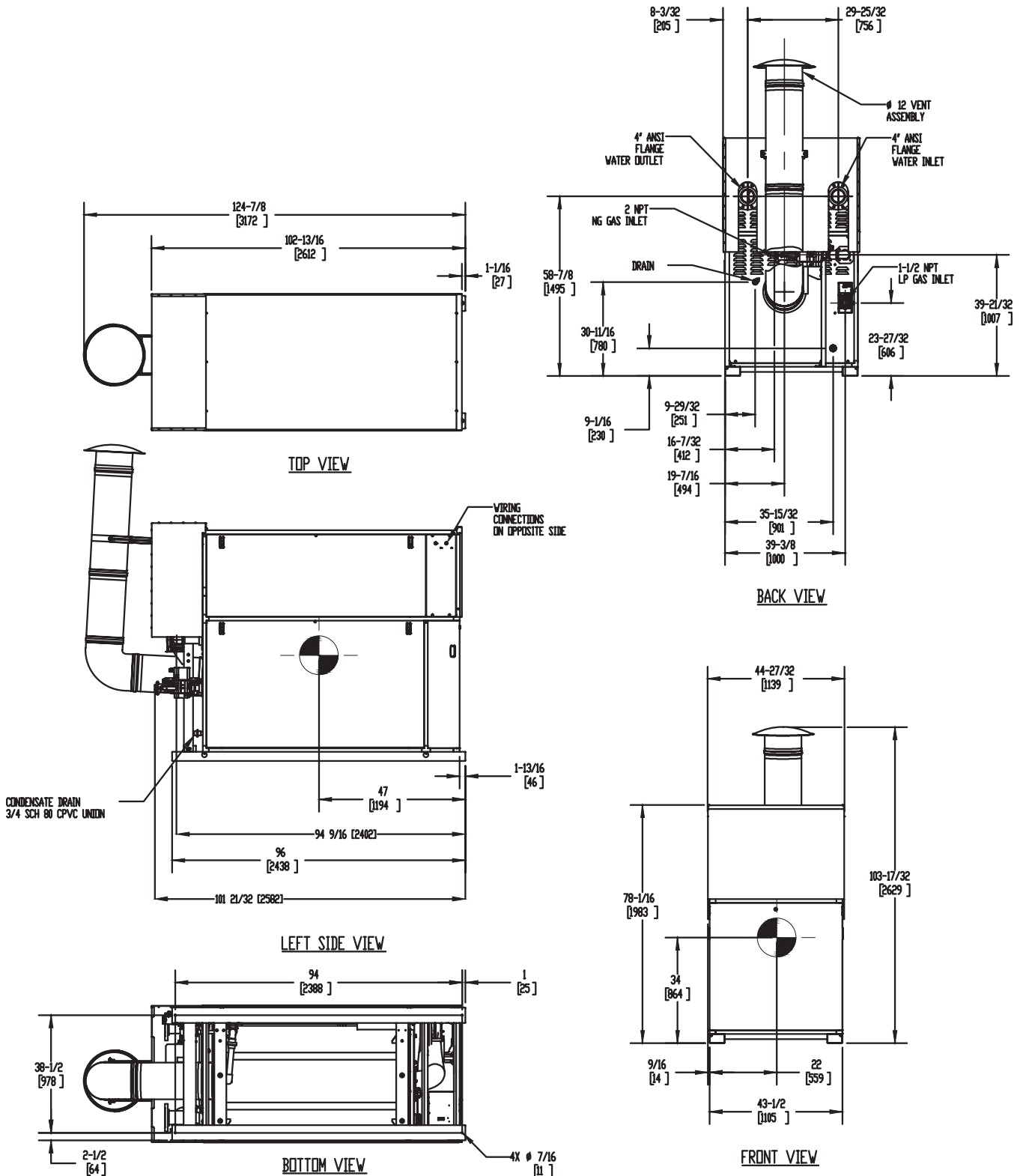
TORUS 4000 DUAL FUEL

Category II or Category IV Appliance
(see Installation and Operation Manual for venting information)

CODE OPTIONS

| | |
|-------|---|
| CSD-1 | FIRMWARE W/REMOTE TEST MANUAL RESET LWCO |
|-------|---|

OUTDOOR UNIT



Notes:

1. Dimensions are approximate and should not be used to "rough-in" equipment.
2. Dimensions are subject to change without notice.
3. All dimensions are in inches (mm).
4. ● Symbol indicates center of gravity.

BOILER CERTIFIED RATINGS & CAPACITIES

| | | | |
|--------------------------------|---------------------|-----------------------------------|--------------------|
| Fuel Type | Natural/Propane Gas | Boiler FLA | 19.9* |
| Input BTU/hr. | 4,000,000 / 1172kW | Boiler HP | 116.52 |
| Output BTU/hr. | 3,892,000 / 1141kW | Min. Gas Pressure Required | 4" W.C. |
| Electrical Requirements | 230 VAC/60 Hz/3PH | Max. Gas Pressure Allowed | 14" W.C. |
| | | Operating Weight | 2866 lbs / 1300 kg |

BOILER TRIM & CONTROLS

| | | | |
|--|-----------|----------------------------|-------------------------------|
| Main Gas Valve | Dungs MBC | Air Switch | Huba |
| Firing Valve | 2" Apollo | Flow Switch | SIKA |
| Ignition Control | Fenwal | Blocked Flue Switch | Cleveland NS2 |
| Operating Control | HeatNet® | Blower Motor | Ametek |
| High Limit | Jumo | L.W.C.O. | 800 |
| Main Ball Valve | 2" Apollo | Relief Valve (WB) | 1" x 1 1/2" set @ 50 psi |
| Pump contactor strongly recommended for water heater applications. | | Relief Valve (WW) | 1 1/2" x 1 1/2" set @ 125 psi |

A.S.M.E.

| | | | |
|--|-------------------------------|---------------------|--------------------------|
| ASME Sect IV Fire Side Htg Surface | 402.93 Sq. Ft. / 37.43 Sq. M. | Design Data | Max. 160 psig & 210°F |
| ASME Sect IV Water Side Htg Surface | 371.25 Sq. Ft. / 34.49 Sq. M. | Water Volume | 41.3 gal. / 156.3 Liters |

* Add circulator amps.

BOILER TEMPERATURE RISE / PRESSURE DROP (Based on Full Input)


| 20°F / 11.1°C | | | | 30°F / 16.7°C | | | | 40°F / 22.2°C | | | | 50°F / 27.8°C | | | | 60°F / 33.3°C | | | |
|---------------|------|---------------|------|---------------|------|---------------|------|---------------|------|---------------|------|---------------|-----|---------------|------|---------------|-----|---------------|------|
| Flow Rate | | Pressure Drop | | Flow Rate | | Pressure Drop | | Flow Rate | | Pressure Drop | | Flow Rate | | Pressure Drop | | Flow Rate | | Pressure Drop | |
| GPM | L/s | Ft | kPa | GPM | L/s | Ft | kPa | GPM | L/s | Ft | kPa | GPM | L/s | Ft | kPa | GPM | L/s | Ft | kPa |
| 389.4 | 24.6 | 19.9 | 59.3 | 259.6 | 16.4 | 10.1 | 30.1 | 194.7 | 12.3 | 6.4 | 19.2 | 155.7 | 9.8 | 4.7 | 13.9 | 129.8 | 8.2 | 3.7 | 10.9 |

WATER HEATER HOURLY RECOVERY CAPACITY (GPH & LPH)

| | | | | | | | | | | | |
|-------|-------|------|-------|------|-------|-------|-------|-------|-------|-------|-------|
| 40°F | 22°C | 60°F | 33°C | 80°F | 44°C | 100°F | 56°C | 120°F | 67°C | 140°F | 78°C |
| 11765 | 44471 | 7843 | 29647 | 5882 | 22235 | 4706 | 17788 | 3922 | 14824 | 3361 | 12706 |

| Flow GPM | | Temp. Rise** (°F) | | Vent Length (Equiv. Ft.) | | Air Inlet Length (Equiv. Ft.) | |
|----------|-------|-------------------|-----|--------------------------|-----|-------------------------------|-----|
| Min | Max | Min | Max | Min | Max | Min | Max |
| 129.8 | 389.4 | 20 | 60 | 12 | 160 | 0 | 160 |

** Min/Max delta t reflects boiler operation at full input. For applications requiring operation above/below these parameters please consult factory.

| | | |
|---------------------|-------|---|
| REP FIRM | _____ | <h1 style="margin: 0;">TORUS 4000 DUAL FUEL</h1> <p style="margin: 5px 0;">Category II or Category IV Appliance (see Installation and Operation Manual for venting information)</p>  <p style="margin: 5px 0;">A Division of Mestek, Inc. Westfield, MA 01085 (413) 564-5515</p> <p style="margin: 5px 0; font-size: small;">RELIABLE. BOLD. INNOVATIVE.</p> |
| SUBMITTED BY | _____ | |
| JOB NAME | _____ | |
| ARCHITECT | _____ | |
| ENGINEER | _____ | |
| CONTRACTOR | _____ | |
| DATE | _____ | |